

# R6 EXECUTIVE SEATING

## SELECT



### FEATURES

- » Adjustable seat height
- » Adjustable seat and back angle
- » Adjustable weight tension
- » Available in high and low back
- » Fixed alloy arms
- » Knee tilt mechanism with 4 locking positions
- » 700mm alloy base
- » Available in A grade Italian leather only
- » Minor assembly required
- » Suitable for indoor use only
- » 5 year warranty
- » Weight limit 130kg

### INDOOR USE ONLY

**X** Do not use as a step ladder

FIXED ALLOY ARMS

RIGHT KNOB

To adjust weight tension

INNER RIGHT LEVER

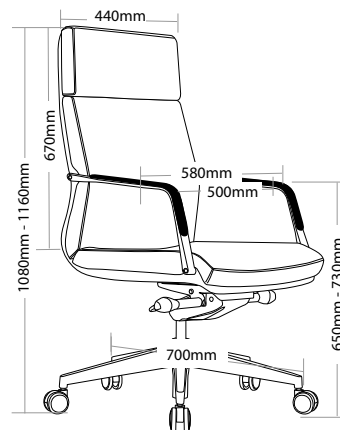
To adjust seat height

700MM ALLOY 5 STAR BASE WITH CASTORS

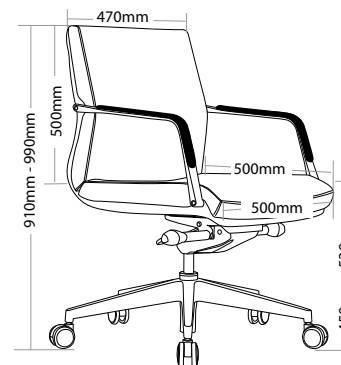
Use soft tyred castors for tiles  
Use hard tyred castors for carpet

LEFT KNOB

To adjust seat and back angle



SELECT-H



SELECT-L

# SELECT EXECUTIVE SEATING



SELECT-H



SELECT-L



BACK VIEW