

# R1 TASK MESH SEATING

## INTRO



### FEATURES

- » Adjustable seat height
- » Adjustable seat and back angle
- » Adjustable weight tension
- » Fixed arms
- » Butterfly mechanism
- » 600mm heavy duty 5 star base
- » Available in black, blue, green and red only
- » Minor assembly required
- » Suitable for indoor use only
- » 4 year warranty
- » Weight limit is 120kg

### COLOUR



Black Blue Green Red

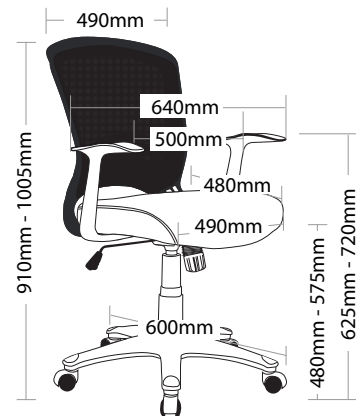
### INDOOR USE ONLY

✗ Do not use as a step ladder



### 600MM HEAVY DUTY 5 STAR BASE WITH CASTORS

Use soft tyred castors for tiles  
Use hard tyred castors for carpet



INTRO

# INTRO TASK MESH SEATING



INTRO-BLACK



INTRO-BLUE



INTRO-GREEN



INTRO-RED